

FULL HYDRAULIC EXCAVATOR

# TB285 TB290



TAKEUCHI

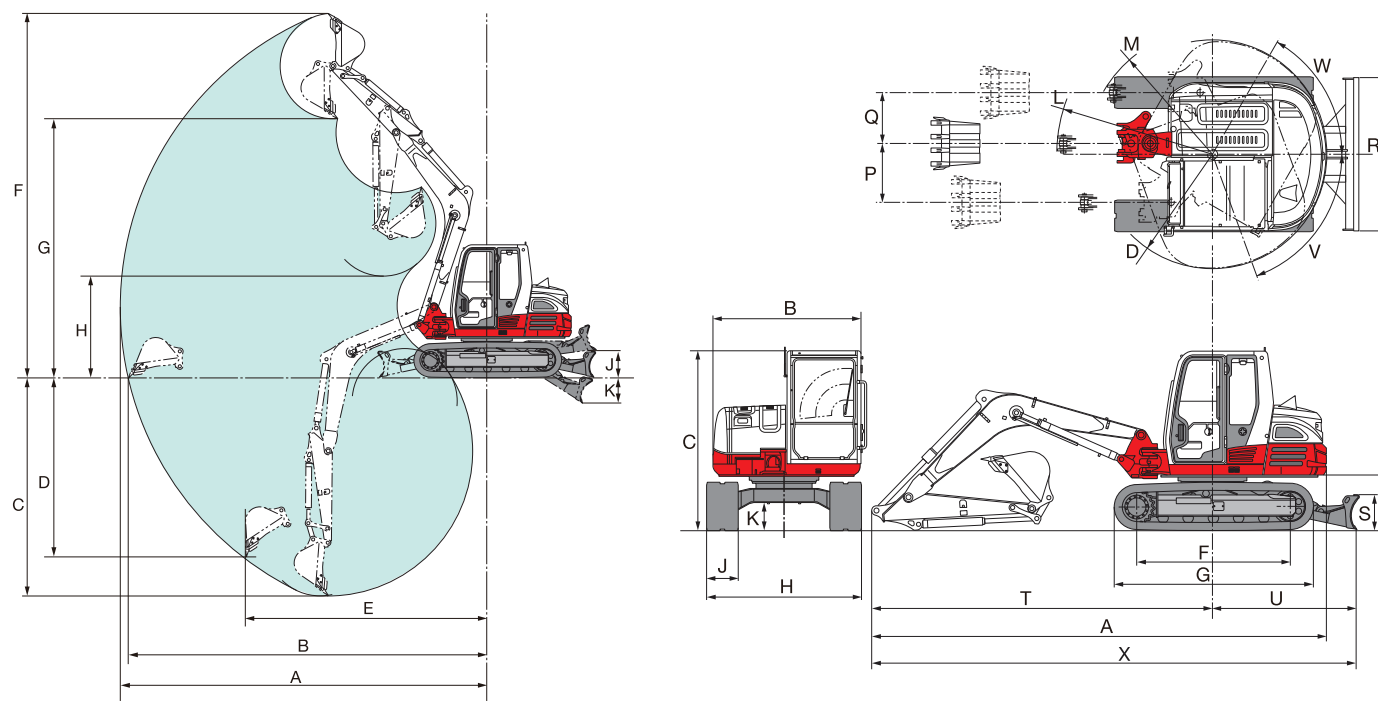
Machine Weight : TB285/8390kg TB290/8440kg

FULL HYDRAULIC EXCAVATOR

**TB285 TB290**

OPERATING RANGES:mm

MACHINE DIMENSIONS:mm



Operating Range

ARM	Standad	Middle	Long
A	7105	7275	7435
B	6950	7125	7290
C	4220	4400	4570
D	3455	3635	3805
E	4685	4720	4755
F	7045	7175	7305
G	5010	5140	5270
H	1960	1795	1650
J	520	←	←
K	490	←	←

Dimensions

ARM	Standad	Middle	Long
A	6530	6575	6660
B	2140	←	←
C	2565/2560	←	←
D	1650	←	←
E	785/760	←	←
F	2210/2180	←	←
G	2855/2830	←	←
H	2200	←	←
J	450	←	←
K	385/360	←	←
L	2240	2360	2495
M	1810	1910	2030
P	845	←	←
Q	730	←	←
R	2200	←	←
S	500	←	←
T	4890	4935	5020
U	2055/2060	←	←
V	70°	←	←
W	60°	←	←
X	6945	6990	7075

SPECIFICATIONS TB285 TB290 (Cab, Rubber Tracked, Standard Arm, Breaker Piping Standard)

Machine		TB285	TB290
Weight	Machine Weight: kg	8390	8440
Bucket	Bucket Capacity: m3	0.245	0.245
	Bucket Width: mm	750	750
Diesel Engine (Water-Cooled)	Engine Model	Yanmar 4TNV98T	ISUZU 4JJIT
	Tier	Tier3	Tier3
	Cylinders and type	4 / 4 Cycle	4 / 4 Cycle
	Rated Power: kW	49.6 / 2,000 min-1	51.4 / 2,000 min-1
	Maximum Torque: Nm	278.0 - 302.0	268.1
	Displacement: cc	3318	2999
	Engine Coolant: L	14	16
	Engine Oil: L	10.2	15
	Fuel Tank: L	128	128
	Electric System	12V / 80A	12V / 110A
PERFORMANCE	Traction Speed: km/h	2.6 / 5.0	2.6 / 5.0
	Traction Force: kN	88.0 kN	88.0 kN
	Upper Slew Speed: min-1	10.3	10.3
	Slew Torque: kN	22.4 kN	22.4 kN
	Gradeability: degree	30	30
	Max Dig Force Bucket: kN	59.1	59.1
	Max Dig Force ARM: kN	SSA : 40	SSA : 40
OFF-SET DIG FUNCTION	Type	Boom Swing	Boom Swing
	TRACTION SYSTEM: mm	Rubber / Steel	Rubber / Steel
	Pump Type	Variable x 1 + Gear x 2	Variable x 1 + Gear x 2
HYDRAULIC SYSTEM	Set Pressure: MPa	27.5 x 1+ 24.0 x 1+ 3.4 x 1	27.5 x 1+ 24.0 x 1+ 3.4 x 1
	Discharge: L/min	160 x 1+ 60.6 x 1+ 16 x 1	160 x 1+ 60.6 x 1+ 16 x 1
	Slew Motor	Piston Motor	Piston Motor
	Traction Motor	2-Speed Piston Motor	2-Speed Piston Motor
	Hydraulic Oil Capacity: L	73 (Level)	73 (Level)
SAFETY	SAFETY	ROPS/OPG top guard (ISO10262 level1)	ROPS/OPG top guard (ISO10262 level1)
	Option&Equipments	SP1: Flow rate (L)/Pressure (MPa) ~100.0 / 20.6 SP2: Flow rate (L)/Pressure (MPa) ~55.0 / 20.6 SP3: Flow rate (L)/Pressure (MPa) 16.0/3.4, 55.0/3.4 SP4: Flow rate (L)/Pressure (MPa) ~55.0 / 20.6	~100.0 / 20.6 ~55.0 / 20.6 16.0/3.4, 55.0/3.4 ~55.0 / 20.6

**TAKEUCHI**

WORLD CREATOR OF COMPACT EXCAVATOR  
**TAKEUCHI MFG.CO.,LTD.**  
 205, Uwadaira,Sakaki-machi, Hanisina-gun.  
 Nagano 389-0605,Japan  
 Phone (81)268-81-1112  
 Telefax(81)268-81-1121  
 URL <http://www.takeuchi-mfg.co.jp>  
 E-mail:[marketing@takeuchi-mfg.co.jp](mailto:marketing@takeuchi-mfg.co.jp)  
 In accordance with our established policy of constant improvement, we reserve the right to amend this specification at any time without notice.Printed in Japan. TB110830

FULL HYDRAULIC EXCAVATOR

# TB285 TB290

Machine Weight : TB285/8390kg TB290/8440kg



TAKEUCHI

# TB285 TB290 FULL HYDRAULIC EXCAVATOR

## OPERATOR COMFORT



- **POWERFUL ENGINE** (TB290: 51.4 kw / TB285: 49.6 kw)
- **6-WAY MULTI-ADJUSTABLE SUSPENSION SEAT** and retractable seat belt (AIR SUSPENSION SEAT: OPTION)
- **ROLL UP FRONT WINDOW** with gas spring lift assist cylinder
- **RADIO WITH AUXILIARY JACK** for MP3 Player
- **SUN SHADE** (STANDARD) / **RAIN GUARD** (OPTION)
- **AUTO AIR CONDITIONER** (STANDARD)

## EVOLUTION OF TECHNOLOGY

## SERVICEABILITY

## EVOLUTION OF TECHNOLOGY

- **WIDE OPENING ENGINE COVER**
- **LARGE SIDE COVER** with gas spring lift assist
- **SIGHT GAUGES FOR FUEL AND HYDRAULIC FLUID LEVELS**
- **GROUND LEVEL FUEL FILL WITH LOCKABLE ACCESS PANEL**
- **AUTOMATIC FUEL BLEED SYSTEM**
- **AUTOMATIC TRACK TENSIONING SYSTEM**



TB-290  
SERVICEABILITY



## EASE OF OPERATION

## EVOLUTION OF TECHNOLOGY

- **ADJUSTABLE SERVICE FLOW SETTINGS**  
SERVICE PORT 1: ADJUSTABLE THREE MODE FLOW SETTINGS  
SERVICE PORT 2 / 4: ADJUSTABLE ONE MODE FLOW SETTING
- **LOAD SENSING SYSTEM**
- **EASY CONTROL LEVER** (CHANGEABLE JOYSTICK CONFIGURATION)
- **ECO DRIVE MODE**
- **AUTO DECEL SYSTEM**
- **FLOAT ANGLE DOZER BLADE** (OPTION for WIDE BLADE)
- **FLOAT DOZER BLADE** (OPTION)



Optimizes engine and hydraulic system for improved fuel economy



## SAFETY

## EVOLUTION OF TECHNOLOGY

- **AUDIBLE AND VISUAL WARNING WITH LCD MONITOR**
- **FRONT AND REAR MOUNTED LIGHTS**
- **WORK LIGHT FRONT X 2 AND REAR X 1** (OPTION)
- **ROPS/OPG CAB** (OPG top guard/ISO10262 level 1: STANDARD)
- **PILOT CIRCUIT FILTER**
- **BOOM HOLDING VALVE** (STANDARD) / **ARM HOLDING VALVE** (OPTION)

## EQUIPMENTS & OPTIONS

## EVOLUTION OF TECHNOLOGY

### OPERATOR COMFORT

- **AIR SUSPENSION SEAT** (OPTION)
- **AUTO DECEL** (STANDARD)
- **AUTOMATIC AIR CONDITIONER** (STANDARD)
- **FABRIC SEAT** (STANDARD)
- **HEAD REST** (STANDARD)
- **RAIN GUARD** (OPTION)
- **RETRACTABLE SEAT BELT** (STANDARD)
- **SUN SHADE** (STANDARD)



### SERVICEABILITY

- **AIR BREATHER** (STANDARD)
- **AUTOMATIC TRACK TENSIONER** (STANDARD)
- **DUAL AIR FILTER ELEMENT** (STANDARD)
- **FUEL TRANSFER PUMP** (STANDARD)

### EASE OF OPERATION

- **AUTO DECEL** (STANDARD)
- **HEAVY COUNTER WEIGHT** (STANDARD)
- **SWING STOPPER** (OPTION)
- **FLOAT ANGLE DOZER BLADE** (OPTION for WIDE BLADE)
- **FLOAT DOZER BLADE** (OPTION)

### SERVICE PORT

- **SERVICE PORT1** (HIGH FLOW TYPE: STANDARD)
- **SERVICE PORT2** (STANDARD)
- **SERVICE PORT3** (OPTION)
- **SERVICE PORT4** (OPTION)

### SAFETY

- **ROOF GUARD** (OPTION: for OPG TOP GUARD LEVEL 2)
- **TRAVEL ALARM** (OPTION)
- **WORK LIGHT, CABIN** (OPTION)
- **FRONT GUARD** (OPTION: for OPG FRONT GUARD LEVEL 2)

### HOLDING VALVE

- **BOOM HOLDING VALVE** (STANDARD)
- **ARM HOLDING VALVE** (OPTION)
- **ADJUST CYLINDER HOLDING VALVE** (OPTION: 2-PIECE BOOM)

### OTHER EQUIPMENTS & OPTIONS

- **2-PIECE BOOM** (OPTION)
- **2-WAY LEVER** (OPTION)
- **ACCUMULATOR** (STANDARD)
- **BUCKET** (OPTION)
- **LONG ARM** (OPTION)
- **MIDDLE ARM** (OPTION)
- **RUBBER PADS ON STEEL TRACK** (OPTION)
- **GEO-GRIP TRACK** (OPTION)
- **STEEL TRACK** (OPTION)
- **WIDE STEEL TRACK** (with Blade: OPTION)

