

COMPACT EXCAVATOR

takeuchiTM
From World First to World Leader

TB219



Operating Weight: 1,945 kg

Product Features

ENGINE

- Engine Preheat
- Extended Life Coolant
- Double Element, Air Cleaner (optional)
- Automatic Fuel Bleed System
- High Capacity Fuel Filters

ELECTRICAL

- Color Multi-Informational Display
- 12 volt System with 40 amp Alternator
- 1 Cab Front Light
- 1 Working Light on Boom
- 2 Canopy Lights
- Beacon Socket (Cab Only)
- Hour Meter
- Horn
- Travel Alarm (optional)

UNDERCARRIAGE AND FRAME

- Triple Flanged Track Rollers
- Hydraulically Retractable Track Frame
- Backfill Blade with Pin-on Extensions
- 2-Speed Travel
- Wraparound Protective Counterweight
- 230 mm Rubber Crawlers
- 230 mm Steel Crawlers (optional)

OPERATOR'S STATION

- ROPS / TOPS / OPG Level 1 Canopy / Cab
- Highback Suspension Adjustable Seat (optional)
- Cab with Heat Defrost, Windshield Wiper and Washer, Skylight, AM / FM / MP3 Radio
- 2" Retractable Seat Belt
- OPG Level 1 Front Guard (Cab Optional)

HYDRAULIC

- Variable Displacement Pump
- Hydraulic Joystick Controls
- Foot Pedal Control for Service Port 1
- Auxiliary Hydraulic Circuit Plumbed to Arm
- Hydraulic Tank with Fluid Level Sight Gauge
- Hydraulic Selector Valve (1-way/2-way) (optional)

WORKING EQUIPMENT

- Independent Mono Boom Swing
- Cushioned Boom Cylinders
- Boom Swing Stopper (optional)
- 1,000 mm Arm
- 1,125 mm Arm (optional)
- 1,250 mm Arm (optional)
- Arm and Boom Holding Valve with Lift Alarm (optional)
- Pattern Change Valve (ISO or G) (optional)



Halogen Work Lights



Wraparound Counterweight

TOUGH, POWERFUL, RELIABLE



Top Mounted Cylinder



Convenient Filter Access



High Capacity Cooling



Two-Speed Travel

The TB219 has a wide range of features to make any job easier. Standard equipment includes an improved multi-informational display, two-speed travel, hydraulic joystick controls, a high capacity cooling system, and convenient filter and service access.

Auxiliary hydraulics and boom pivot are controlled using the foot pedals located on the left and right side of the floor. An optional pattern change valve is conveniently positioned inside the seat pedestal.

Additional features include an automatic fuel bleed system, a wraparound counterweight that protects the engine components from damage.

The TB219 is rugged, dependable, and productive. It provides exceptional value, and demonstrates outstanding performance.



Easy Maintenance and Service Access

Product Specifications

OPERATING PERFORMANCE

Operating Weight - Cab	2,070 kg
Operating Weight - Canopy	1,945 kg
Bucket Capacity (Heaped)	0.046 m ³
Slew Speed	8.7 min ⁻¹
Travel Speed	
1st	2.4 km/h
2nd	4.0 km/h
Gradeability	15°
Ground Pressure - Cab	33.1 kPa
Ground Pressure - Canopy	31.1 kPa
Maximum Bucket Breakout Force	16.0 kN
Maximum Arm Digging Force	11.4 kN
Traction Force	20.7 kN
Boom Swing Angle (Left/Right)	80° / 50°

ENGINE

Model	Yanmar / 3TNV70
Rated Output (ISO 14396)	12.0 kW/2,500 min ⁻¹
Maximum Torque	52.7 Nm/1,800 min ⁻¹
Displacement	854 ml
Alternator	12 V - 0.48kW
Battery (IEC 60095-1)	12 V - 45 A/h

FLUID CAPACITY

Engine Lubrication	2.8 L
Cooling System	3.7 L
Fuel Tank Capacity	24.0 L
Hydraulic Reservoir Capacity	23.0 L
Hydraulic System Capacity	35.0 L

HYDRAULIC SYSTEM

P1, P2	Variable Displacement Pump
Flow Rate	20.0 L/min
Relief Pressure	20.6 MPa
P3	Gear Pump
Flow Rate	11.3 L/min
Relief Pressure	18.0 MPa
Service Port 1	
Flow Rate	40.0 L/min
Hydraulic Pressure	20.6 MPa

SAFETY and HEALTH

Vibration Levels	
Hand / Arm	$\leq 2.5 \text{ m/s}^2$
Body	$\leq 0.5 \text{ m/s}^2$
Noise Level	
Sound Power Level	LWA 93 dB



Multi-Informational Display



Retractable Undercarriage

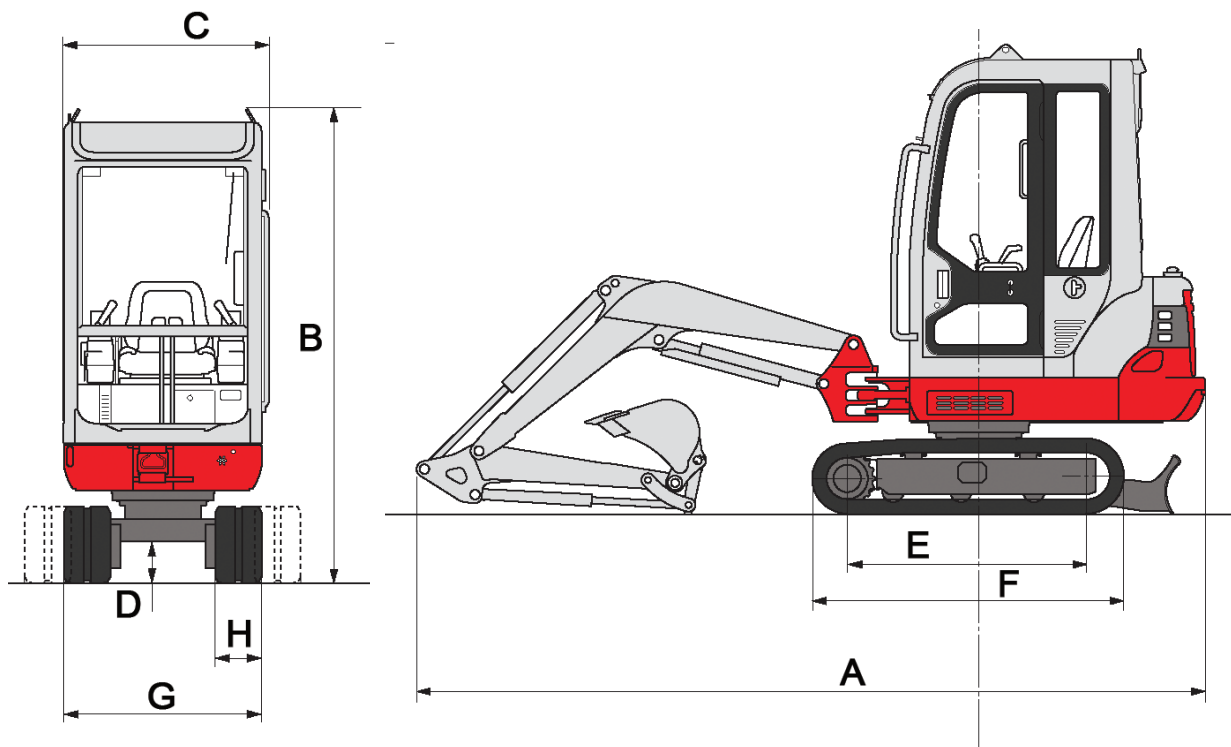


Top Mount Arm Cylinder



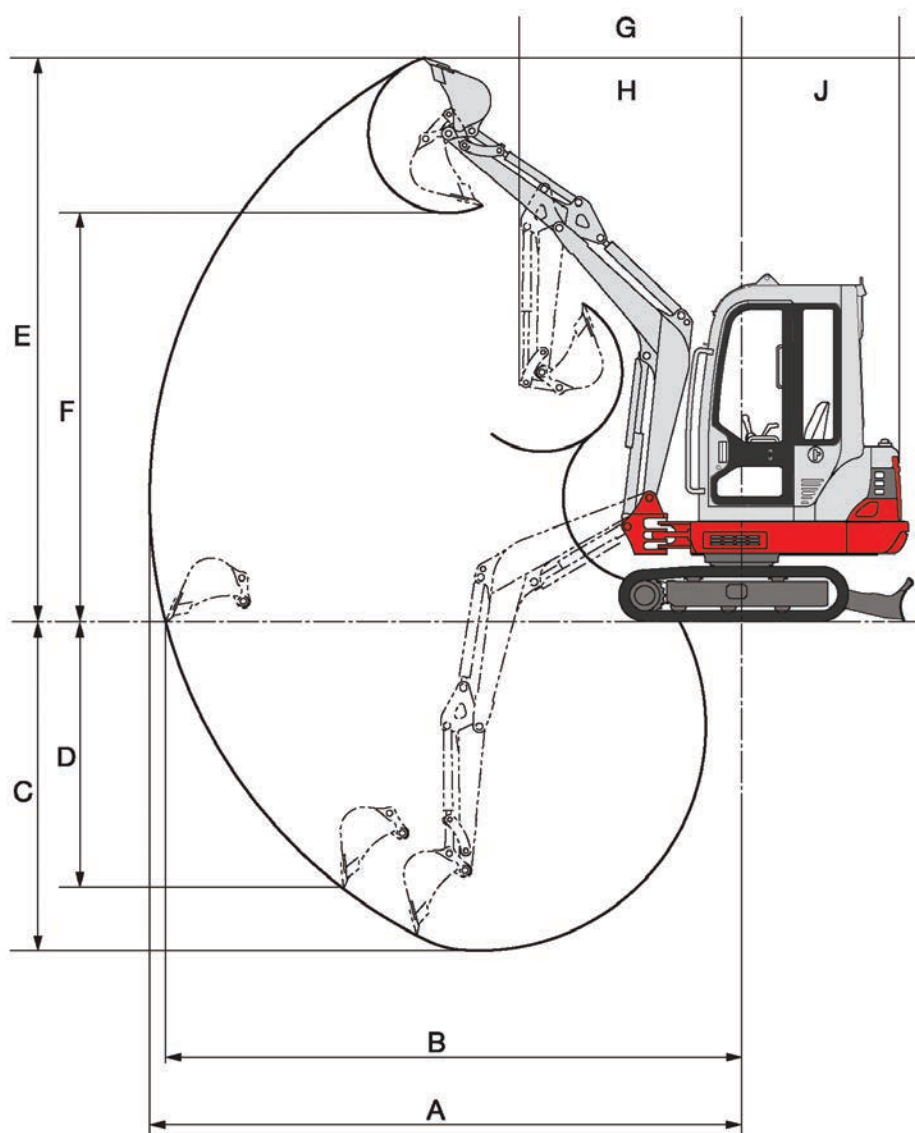
Operator's Station

TB219 Machine Dimensions



MACHINE DIMENSIONS		1,000 mm Arm	1,125 mm Arm	1,250 mm Arm
A	Overall Length	4,010 mm	4,055 mm	4050 mm
B	Overall Height (Cab / Canopy)	2,360 mm / 2,290 mm	2,360 mm / 2,290 mm	2,360 mm / 2,290 mm
C	Upper Structure Overall Width (Cab / Canopy)	1,030 mm / 980 mm	1,030 mm / 980 mm	1,030 mm / 980 mm
D	Ground Clearance	205 mm	205 mm	205 mm
E	Crawler Base	1,205 mm	1,205 mm	1,205 mm
F	Crawler Overall Length	1,570 mm	1,570 mm	1,570 mm
G	Crawler Overall Width - Crawler Retracted	980 mm	980 mm	980 mm
G'	Crawler Overall Width - Crawler Extended	1,370 mm	1,370 mm	1,370 mm
H	Crawler Shoe Width	230 mm	230 mm	230 mm

TB219 Working Dimensions



MACHINE DIMENSIONS		1,000 mm Arm	1,125 mm Arm	1,250 mm Arm
A	Maximum Reach	4,045 mm	4,160 mm	4,280 mm
B	Maximum Reach at Ground Level	3,935 mm	4,055 mm	4,175 mm
C	Maximum Digging Depth	2,270 mm	2,395 mm	2,520 mm
D	Maximum Vertical Digging Depth	1,835 mm	1,955 mm	2,075 mm
E	Maximum Height of Cutting Edge (Cab / Canopy)	3,770 mm / 3,890 mm	3,845 mm / 3,975 mm	3,915 mm / 4,055 mm
F	Maximum Dumping Height (Cab / Canopy)	2,710 mm / 2,820 mm	2,785 mm / 2,905 mm	2,860 mm / 2,985 mm
G	Front Swing Radius (Cab / Canopy)	1,650 mm / 1,520 mm	1,655 mm / 1,535 mm	1,660 mm / 1,550 mm
H	Front Swing Radius with Boom Offset (Cab / Canopy)	1,320 mm / 1,175 mm	1,325 mm / 1,185 mm	1,330 mm / 1,195 mm
J	Slew Radius	1,140 mm	1,140 mm	1,140 mm

© 2017 Takeuchi MFG. Co., Ltd. All Rights Reserved. In accordance with our established policy of continued improvement, specifications and features are subject to change without notice. Pictures may show options other than standard equipment.

TAKEUCHI
From World First to World Leader

FORM: TB219 Compact Excavator Spec Sheet - Dec. 2017